

## INDUSTRIAL / NON-SURGICAL

# “MOLDED WITH EXHALE VALVE” N95

Manufactured in USA with globally sourced material.

**Part Number:** Patriot CV-03/CVS-03

**Description:** Molded N95 rated respirator with adjustable nose band and exhale valve.

**Location:** Manufactured in Ohio, USA

**Brand:** Patriot Mask



### KEY FEATURES:

- Braided headbands
- Pre-formed for secure fit and exhale valve for easy breathing.
- Moldable nose clip will help provide custom fit and secure seal.
- Cool Flow™ Exhalation Valve
- Available in Small and Large.
- Latex free: Yes
- Model: Cup with exhale valve.

### DO NOT USE:

- For gases and Vapors, including oil aerosols, etc.
- If modified or used for its unintended purpose.
- > Expiration date of 3 years after manufacture date.

### MATERIAL COMPOSITION:

- Straps - Braided Polyisoprene
- Staples - Steel
- Nose Clip - Aluminum, 1 mm thick metal.
- Shell - Polyester
- Outer Layer: Spun bound cloth/non-woven fabric.
- Filter: Melt-blown non-woven fabric (2 layers).
- Inner Layer: Needle punch cotton.
- Nose Foam: Spandex filament sponge bar.
- Approximate weight of product: 0.55 oz
- Breathing valve: Valve - Polypropylene & Polyisoprene

### DO USE FOR:

- OSHA required environments.
- Industrial settings.
- Agriculture and low vapor areas.
- Medical and first responders.

## INDUSTRIAL / NON-SURGICAL

# “MOLDED WITH EXHALE VALVE” N95

Manufactured in USA with globally sourced material.

**Part Number:** Patriot CV-03/CVS-03

**Description:** Molded N95 rated respirator with adjustable nose band and exhale valve.

**Location:** Manufactured in Ohio, USA

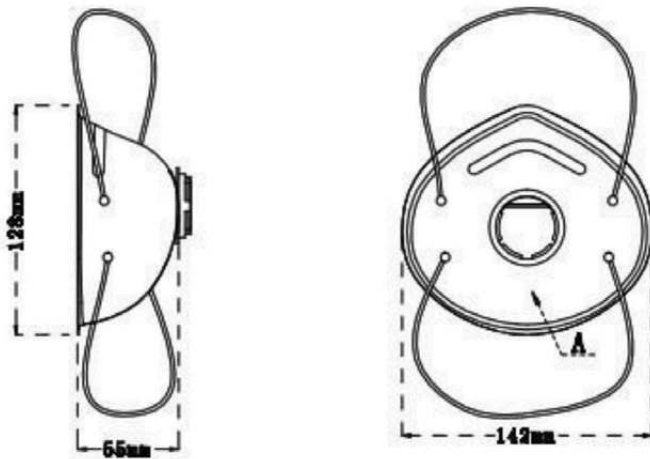
**Brand:** Patriot Mask

## PACKAGE INFORMATION

Description	Size	Type	PCS/Box	Box/Carton	Pcs/Pkg	Carton/Pallet	Total Quan
Patriot CV-03	Regular	Industrial	15	20	300	24	7,200
Patriot CVS-03	Small	Industrial	15	20	300	24	7,200

## DIMENSIONS

REGULAR



SMALL

